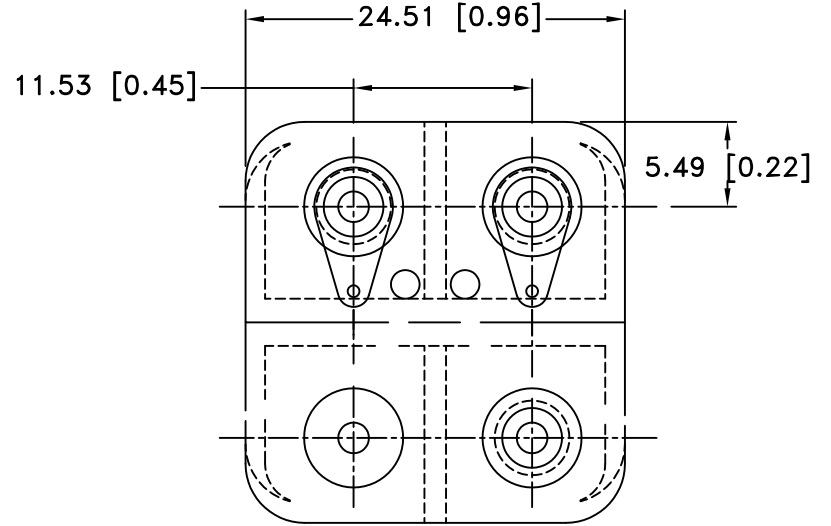
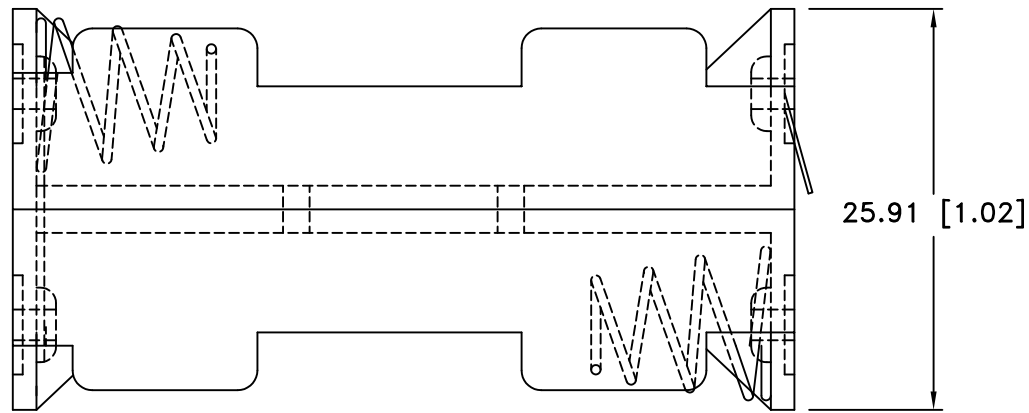
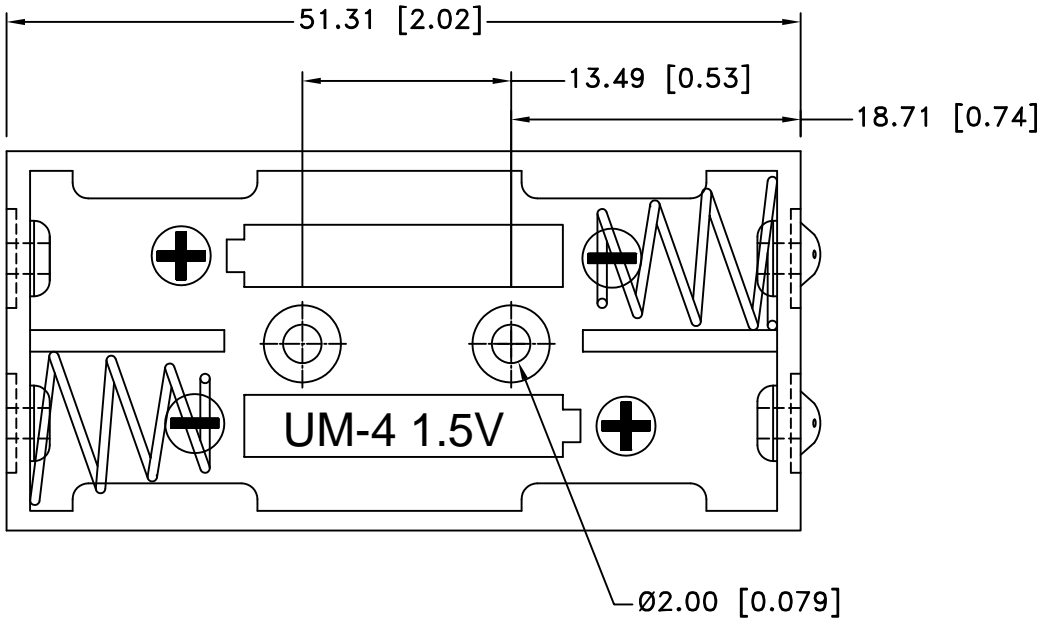



Date	SYM	REVISION RECORD	AUTH	DR.	CK.
9/23/06	A	ADDED "ROHS COMPLIANT" UPDATED MATERIAL NOTES	T.B.	B.S.	
4/04/08	B	ADDED DIM. 25.91	T.B.	B.S.	



NOTES:

1. MATERIAL:
 HOUSING : BLACK POLYPROPYLENE
 FLAMMABILITY RATING -UL94-HB, UL FILE NO. E216959
 TEMPERATURE RANGE: -10°C to +100°C
 RIVETS: BRASS, NICKLE PLATED.
 SPRING: SPRING STEEL, NICKLE PLATED.
 9 VOLTS SNAPS: BRASS, NICKLE PLATED.
 CONTACT RESISTANCE: UNDER 50mΩ FOR +/- CONTACTS PER
 EIA-540J000

ROHS COMPLIANT.

Tolerance (Except as noted)	 Memory Protection Devices, Inc 200 Broad Hollow Road, Farmingdale, New York 11735	Scale	Drawn By B.S.
			Approved By T.B.
decimal ±.5 (.020)	Title FOUR "AAA" CELL HOLDER	Date 4/04/08	
Fractional ± .8 (.030)		Drawing Number BH24AAAL	
Angular ± 3°			